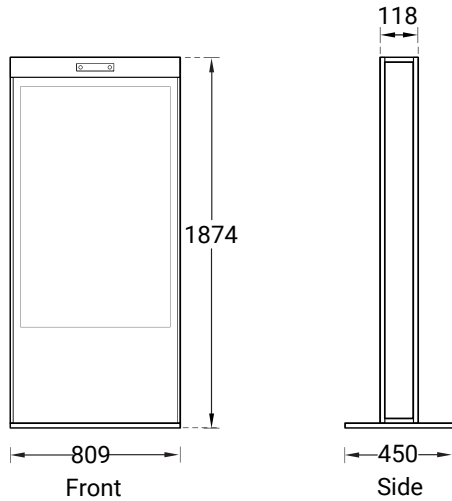
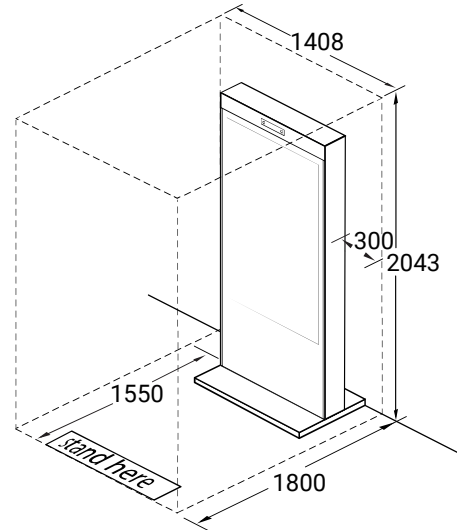


55" Interactive Digital Signage



Dimension of Magic Mirror (mm):
809 (W) X 1874 (H) X 450 (D)



Minimum Clear Space Requirement (mm):
1408 (W) X 2043 (H) X 1800 (D)

General Specifications

Power Voltages	110-220V (50 -60 Hz)
Power Consumption	≤180W

Processing Unit

System Memory	Kingston 4GB (min.) DDR3 RAM
Graphics Card	NVIDIA GeForce GT-730M
Primary Storage	Kingfast 128GB SSD
Operation System	Windows 8 64-bit or above
Processor	Intel Core i3-4130 CPU @3.4GHz

Display Unit

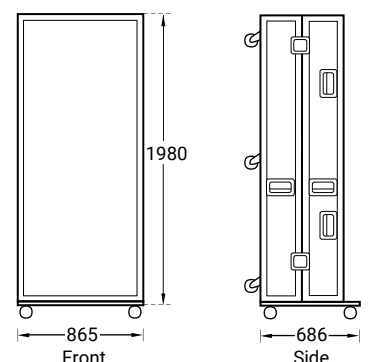
Active Display Area	684.9mm x 1217.6mm
Display Ratio	16 : 09
Resolution	1920 x 1080
Brightness	350cd/m2
Diagonal Size	55" Widescreen
Contrast Ratio	1300 : 01
Sound Power	2 x 10 W

Warranty and Support

Warranty	1 year manufacturer warranty from date of purchase
Support	Technical support is available through email and over the phone with support contract

Flight Case (Optional Add-Ons)

Dimension	865 x 686 x 1980 mm (WxDxH)
Weight	50kg Approx.
Max Load	500kg
Material	ABS black Polymer Plastic
Lock	Butterfly Latch (4 units)
Handle	Side Spring Handles (4 on each side) (Horizontal and Vertical Position) Top Handle Bar (full width)
Castor Wheels	built-in brake / Max Load: 500kg
Interior	Protective foam layer



Touch Panel

Speed of Response	3 - 8 ms
Touch Area	Full Screen
Cursor Speed	80 - 120 point/ms
Input	55" capacitance touch
Power Consumption	0.5 W - 2 W

Body Sensor (Microsoft Kinect Sensor)

Connectivity	V3.0
Output	USB Cables
Depth Camera	512 x 424 (30 Hz)
Colour Camera	1920 x 1080 (15 - 30 Hz)
Active Infrared Capabilities	512 x 424 (30 Hz)

Cabinet & Glass

Dimension	809 (W) x 1874 (H) x 450 (D)
Weight	150 kg (approx.)
Casing	Metal Cabinet with Fine Finishing
Colour	Black
Glass Thickness	5mm Tempered Glass